

# SmartCooler®

**DATASHEET**

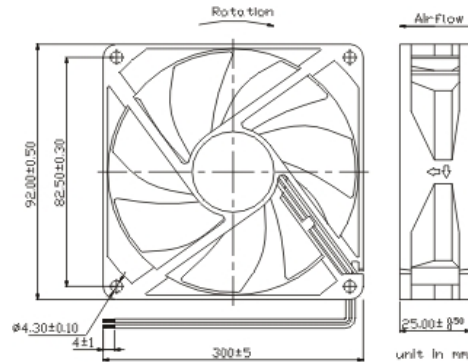
*cooler than smart*

## LFM9592: SmartCooler® BACOM fan 92x92x25mm

Picture similar to original product:



Drawing similar to original product:



### Description:

92x25mm SmartCooler® BACOM fan made of PBT + 15-30% GF UL94V-0 with very low noise features, minimum vibration and minimum pulsing noise. Rotation from 900 up to 3.700 R.P.M.. Airflow from 33.5 – 136.5m³/h. Noise from 9-45dBA.

### Product data:

|                    |                       |             |                               |
|--------------------|-----------------------|-------------|-------------------------------|
| Size (LxWxH):      | 92x92x25mm            | Bearing:    | Sleeve bearing                |
| Hole distance:     | 81.5mm                | Weight:     | 89 gramm                      |
| Hole diameter:     | 4.3mm                 | Frame:      | 8-Hole Frame                  |
| Cable:             | 500mm, UL 1007 AWG 26 | Connector:  | 3-Pin, 4-Pin connector 2.54mm |
| Optional features: | Speed signal          | Autorestart | PWM-Signal                    |

### Function data:

(V)= 4-Hole, (P)= PWM

| Version:        | L     | E     | M     | S     | H      | U      | X      |
|-----------------|-------|-------|-------|-------|--------|--------|--------|
| R.P.M. +/- 10%: | 900   | 1.200 | 1.700 | 2.200 | 2.700  | 3.200  | 3.700  |
| Airflow m³/h:   | 33.50 | 45.00 | 63.00 | 81.50 | 100.00 | 118.50 | 136.50 |
| Airflow cfm:    | 19.70 | 26.47 | 37.05 | 47.94 | 58.82  | 69.70  | 80.29  |
| Aqmm.           | 0.445 | 1.097 | 1.750 | 2.435 | 3.663  | 4.892  | 7.150  |
| Noise dbA:      | 9.000 | 15.00 | 22.00 | 28.00 | 32.00  | 38.00  | 45.00  |

### Electrical data:

|                    |       |       |       |       |       |       |       |
|--------------------|-------|-------|-------|-------|-------|-------|-------|
| Rated current Amp: | 0.08A | 0.09A | 0.10A | 0.15A | 0.20A | 0.25A | 0.40A |
| Rated Power Watt:  | 0.96W | 1.08W | 1.20W | 1.80W | 2.40W | 3.00W | 4.80W |
| Starting voltage:  | 5.00V | 5.00V | 5.00V | 5.00V | 5.00V | 5.00V | 5.00V |
| Operation voltage: | 12.0V | 12.0V | 12.0V | 12.0V | 12.0V | 12.0V | 12.0V |

### Physical boundaries:

|                    |                           |            |   |
|--------------------|---------------------------|------------|---|
| MTBF time about:   | <= H = 50K/h, > H = 30K/h | Drop test: | Withstands free body drop of 30cm on a 1m² wooden table with a thickness of 10mm. |
| Max.environment°C: | 70°C                      | Vib. test: | 1.000 R.P.M at 2mm amplitude for 30 Min.  |

Item:

Safety standards:

Produced after following standards:

CE, TÜV, UL, UR

Item:

Packing:

Size retail Box (LxWxH):

195x150x25mm

Shipping qty. carton:

100 pcs.

### Note:

### Revision:

Revision: 3.3

Last change: 2008-08-28

SmartCooler GmbH accept no liability for accuracy of the above given information.  
Technical changes are subject to alteration.

SmartCooler GmbH - Bernardstraße 5-7 - D-63179 Obertshausen, Germany - EUROPE - Fon +49/6104/600 47-0 - Fax +49/6104/600 47-99  
Geschäftsführer - Reinhard Bormuth - Handelsregister Offenbach HRB 11467 - VAT-No.: DE114191179  
Internet: <http://www.smartcooler.de> - E-Mail: [support@smartcooler.de](mailto:support@smartcooler.de)