

SmartCooler®

DATASHEET

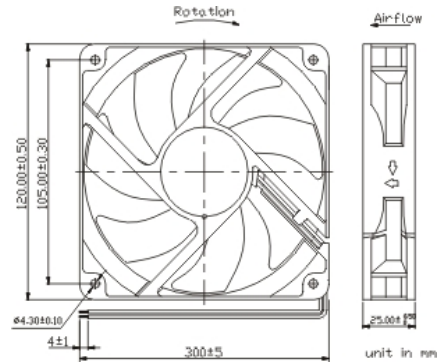
cooler than smart

LFM9512: SmartCooler® BACOM fan 120x120x25mm

Picture similar to original product:



Drawing similar to original product:



Description:

120x25mm SmartCooler® BACOM fan made of PBT + 15-30% GF UL94V-0 with very low noise features, minimum vibration and minimum pulsing noise. Rotation from 700 up to 3.500 R.P.M.. Airflow from 49.0 – 245.0m³/h. Noise from 12-52dBa.

Product data:

Size (LxWxH):	120x120x25mm	Bearing:	Sleeve bearing
Hole distance:	105.0mm	Weight:	165 gramm
Hole diameter:	4.3mm	Frame:	8-Hole Frame
Cable:	500mm, UL 1007 AWG 26	Connector:	3-Pin, 4-Pin connector 2.54mm
Optional features:	Speed signal	Autorestart	PWM-Signal

Function data:

(V)= 4-Hole, (P)= PWM

Version:	L	E	M	S	H	U	X
R.P.M. +/- 10%:	700	1.000	1.500	2.000	2.500	3.000	3.500
Airflow m ³ /h:	49.00	70.00	105.00	140.00	175.00	210.00	245.00
Airflow cfm:	28.82	41.17	61.76	82.35	102.94	123.52	144.12
Aqmm.	0.476	1.187	1.906	3.325	5.464	7.625	9.604
Noise dbA:	12.00	15.00	25.00	32.00	38.00	45.00	52.00

Electrical data:

Rated current Amp:	0.06A	0.08A	0.15A	0.22A	0.30A	0.40A	0.50A
Rated Power Watt:	0.72W	0.96W	1.80W	2.64W	3.60W	4.80W	6.00W
Starting voltage:	7.00V	5.00V	5.00V	5.00V	5.00V	5.00V	5.00V
Operation voltage:	12.0V	12.0V	12.0V	12.0V	12.0V	12.0V	12.0V

Physical boundaries:

MTBF time about:	<= H = 50K/h, > H = 30K/h	Drop test:	Withstands free body drop of 30cm on a 1m ² wooden table with a thickness of 10mm.
Max.environment°C:	70°C	Vib. test:	1.000 R.P.M at 2mm amplitude for 30 Min.

Item:

Safety standards:

Produced after following standards:

CE, TÜV, UL, UR

Item:

Packing:

Size retail Box (LxWxH):

225x180x25mm

Shipping qty. carton:

100 pcs.

Note:

Revision:

Revision: 3.3

Last change: 2008-08-28

SmartCooler GmbH accept no liability for accuracy of the above given information.
Technical changes are subject to alteration.

SmartCooler GmbH - Bernardstraße 5-7 - D-63179 Obertshausen, Germany - EUROPE - Fon +49/6104/600 47-0 - Fax +49/6104/600 47-99
Geschäftsführer - Reinhard Bormuth - Handelsregister Offenbach HRB 11467 - VAT-No.: DE114191179
Internet: <http://www.smartcooler.de> - E-Mail: support@smartcooler.de